



TEDNA

TEDNA SHOTGUNS
USER'S MANUAL / CERTIFICATE OF GUARANTEE

Before handing the firearm read this manual carefully and observe the following safety instructions.

Importer and careless handing of the firearm could result in unintentional discharge and could cause injury, death or damage to property. The same consequences can be caused by any unauthorized modifications or adjustments, corrosion, or use of non-standard or damaged ammunition. In these cases the manufacturer shall not be responsible in any manner whatsoever for the resultant consequences.

Before leaving the factory this firearm was tested, carefully inspected and packed. CZ cannot accept responsibility for product handling while in transit or upon leaving the factory. Please consider that the wooden parts of the shotgun are not under warranty. Therefore, please examine this firearm carefully at the time of purchase to ensure that it is unloaded and undamaged.

This instruction manual should always accompany the firearm, even in the case of its loan or sale.

Always follow the safety instructions for your safety and the safety of others.

1. Always handle your firearm as if it were loaded.
2. Never point your firearm at anything you do not intend to shoot.
3. Never take anyone's word that a gun is unloaded.
4. Always make sure that your firearm is not loaded before laying it down or handing it to another person.
5. Always store your firearm unloaded with the firing mechanism released.
6. Never abuse your firearm by using it for any purpose other than shooting.
7. Never leave a loaded firearm unattended.
8. Prior to loading the firearm make sure the barrel bore, chamber and action are clean and clear of obstructions. Clean a dirty firearm immediately so that it will function properly and safely.
9. Always use only clean, dry, original high quality commercially manufactured ammunition, which is appropriate to the gauge of your firearm.
10. Never drink alcoholic beverages or take drugs before or during shooting.
11. Always wear safety glasses and ear protection during shooting whenever possible.
12. Always keep the safety on when the shotgun is loaded with a cartridge in the chamber, until you are ready to fire. Keep firearm pointed in a safe direction when disengaging the safety.
13. Always keep clear and keep others clear of the ejection port.
14. Never squeeze the trigger or put your finger in the trigger guard until you are aiming at a target and ready to shoot.
15. Always be absolutely sure of your target, and the area behind it, before you squeeze the trigger.
16. Never shoot at a hard surface such as rock, or a liquid surface such as water.
17. Never fire your firearm near an animal unless it is trained to accept the noise.
18. Never indulge in "horseplay" while holding your firearms.
19. Failure to fire: always hold the firearm, keeping it pointed towards the target, or a safe open area and wait 30 seconds when the firearm fails to fire. If a hangfire (slow ignition) has occurred, the round will fire 30 seconds. If the round does not fire, remove the magazine, eject the round and examine the primer; if the firing pin indent on the primer is light, or non-existent, have the firearm examined by a competent gunsmith.
20. Always make sure your firearm is not loaded before cleaning, storing or travelling.
21. Always keep and store your firearm and ammunition in separate locked receptacles out of reach and sight of children and untrained people.
22. Never alter any parts of your shotgun as the safety and proper functional of your shotgun could be seriously compromised.
23. Always be aware that corrosion, use of damaged ammunition, dropping the rifle on hard surfaces or other "coarse treatment" could cause a damage you may not see. If something like this happens allow the firearms to be examined and tested by a competent gunsmith.

MODELS

OVER & UNDER SHOTGUNS	
EXCELLENCE SE12T	Over & Under With Ejector 12 Ga. Single Trigger - Side Plate
EXCELLENCE SE20T	Over & Under With Ejector 20 Ga. Single Trigger - Side Plate
EXCELLENCE SE12C	Over & Under With Ejector 12 Ga. Double Trigger - Side Plate
EXCELLENCE SE20C	Over & Under With Ejector 20 Ga. Double Trigger - Side Plate
AVANTGARDE SE12T	Over & Under With Ejector 12 Ga. Single Trigger - Raised Sides
AVANTGARDE SE20T	Over & Under With Ejector 20 Ga. Single Trigger - Raised Sides
AVANTGARDE SE12C	Over & Under With Ejector 12 Ga. Double Trigger - Raised Sides
AVANTGARDE SE20C	Over & Under With Ejector 20 Ga. Double Trigger - Raised Sides
PRIME SE12T	Over & Under With Ejector 12 Ga. Single Trigger - Standard
PRIME SE20T	Over & Under With Ejector 20 Ga. Single Trigger - Standard
PRIME SE12C	Over & Under With Ejector 12 Ga. Double Trigger - Standard
PRIME SE20C	Over & Under With Ejector 20 Ga. Double Trigger - Standard
EXCELLENCE S12T	Over & Under 12 Ga. Single Trigger - Side Plate
EXCELLENCE S20T	Over & Under 20 Ga. Single Trigger - Side Plate
EXCELLENCE S12C	Over & Under 12 Ga. Double Trigger - Side Plate
EXCELLENCE S20C	Over & Under 20 Ga. Double Trigger - Side Plate
AVANTGARDE S12T	Over & Under 12 Ga. Single Trigger - Raised Sides
AVANTGARDE S20T	Over & Under 20 Ga. Single Trigger - Raised Sides
AVANTGARDE S12C	Over & Under 12 Ga. Double Trigger - Raised Sides
AVANTGARDE S20C	Over & Under 20 Ga. Double Trigger - Raised Sides
PRIME S12T	Over & Under 12 Ga. Single Trigger - Standard
PRIME S20T	Over & Under 20 Ga. Single Trigger - Standard
PRIME S12C	Over & Under 12 Ga. Double Trigger - Standard
PRIME S20C	Over & Under 20 Ga. Double Trigger - Standard

SIDE BY SIDE SHOTGUNS	
EXCELLENCE C12T	Side By Side 12 Ga. Single Trigger - Side Plate
EXCELLENCE C20T	Side By Side 20 Ga. Single Trigger - Side Plate
EXCELLENCE C12C	Side By Side 12 Ga. Double Trigger - Side Plate
EXCELLENCE C20C	Side By Side 20 Ga. Double Trigger - Side Plate
AVANTGARDE C12T	Side By Side 12 Ga. Single Trigger - Raised Sides
AVANTGARDE C20T	Side By Side 20 Ga. Single Trigger - Raised Sides
AVANTGARDE C12C	Side By Side 12 Ga. Double Trigger - Raised Sides
AVANTGARDE C20C	Side By Side 20 Ga. Double Trigger - Raised Sides
PRIME C12T	Side By Side 12 Ga. Single Trigger - Standard
PRIME C20T	Side By Side 20 Ga. Single Trigger - Standard
PRIME C12C	Side By Side 12 Ga. Double Trigger - Standard
PRIME C20C	Side By Side 20 Ga. Double Trigger - Standard

SEMI AUTOMATIC SHOTGUNS	
SEMI AUTO K125	Semi Automatic - Inertia System, 12 Ga.
SEMI AUTO G125	Semi Automatic - Gas Operated System, 12 Ga.

PRODUCT IDENTITY

Type	:	
Brand	:	TEDNA
Serial Nr.	:	
Model	:	
Barrel length	:	<input type="checkbox"/> 51 <input type="checkbox"/> 55 <input type="checkbox"/> 61 <input type="checkbox"/> 66 <input type="checkbox"/> 71 <input type="checkbox"/> 76
Caliber	:	<input type="checkbox"/> 12 <input type="checkbox"/> 20 <input type="checkbox"/> 28 <input type="checkbox"/> 36
Trigger type	:	
Cartridge chamber	:	<input type="checkbox"/> 70mm <input type="checkbox"/> 76mm
Date and place of delivery	:	
Maximum period of free repair	:	20 Working day
Guarantee period	:	2 Years

PRODUCER COMPANY

TEDNA

TEDNA AV TÜFEĞİ SATIŞ PAZARLAMA A.Ş.
Göztepe Mah. Palmiye Cad. No: 36/A Beykoz / İSTANBUL
Tel: +90 216 465 0075

www.tedna.com.tr • info@tedna.com.tr

Company Authority
Signature and Seal

Erol KÖKÇÜ
General Director

Signature - Seal

Seller Company

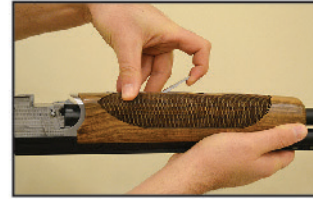
Date and Number of the Invoice

Service Station : TEDNA AV TÜFEĞİ SATIŞ PAZARLAMA A.Ş.
Göztepe Mah. Palmiye Cad. No: 36/A Beykoz / İSTANBUL
Tel: +90 216 465 0075
www.tedna.com.tr • info@tedna.com.tr

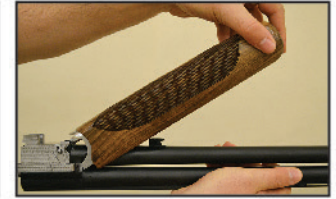
GUARANTEE TERMS

- 1) Our products' warranty period starts from the date of delivery and it is 2 years.
- 2) If delivered product is not same as ordered product, the product demand and demand for appeal period is 10 days from date of delivery. Without objection within this period and request, the delivered product deemed to be accepted. Objection, if accepted by the institution must be sent within 10 days from the date of delivery of the product. As a result of our specialists, never used the product and the customer does not fail due to a bug report is based, sent to the customer when ordering the product demand. The time of shipment of changing product to the customer is 3 months after arriving the wrong products to our institution.
- 3) Technical information related to the product. is located in this instruction on the section "product ID"
- 4) If incorrect - defective product is not submitted along with photocopies of the registration and billing, appeals and demands are ignored no action is taken on
- 5) errors and defects that occur in our products, our product which has empty chamber sends to customer address by cargo or post according to customer request. Not accept any responsibility for failure or damage occurring during transport.
- 6) All of our products are covered by our warranty, including all segment of it. The faults and failures are not covered by warranty during the using of the products against the rules on user manual and against the maintenance rules.
- 7) In case the product fails within the warranty period, repair time period is added to warranty time. Product repair time is 20 business days. This period starts from the date of receipt of the product breakdown service station. Consumer cannot fault report by telephone, fax, e-mail, registered mail or by a similar way. Mistakes and failures that occurred in our products have entered into under warranty or not finalizes with the report of experts of the quality control of our corporation
- 8) In case of the product which is not under warranty has a fault or needs maintenance, repair and maintenance period for the product are evaluated by qualified personnel, and the user is notified.
- 9) product fails within the warranty period because of whether in material and workmanship period or assembly period, repair of the product will be made by our company without any charge not telling under the name of labor costs, the cost of replaced parts or under any other name.
- 10) Consumers may demand a free replacement product, pay back or refund a defect rate of reduction in price under the following conditions Although it exercise their right to repair.
 - If products has failure minimum 4 times in a year after delivery date of it to the customer - stay within the specified warranty period, provided -, or it has failure more than six time in the warranty period which is specified by the manufacturer, departing from the case of continuous product due to failure
 - Exceeding the maximum period of 20 working days to repair
 - Determination the impossibility of repairing the faulty with the report by service station in company.
- 11) The product is not under warranty if it uses against the rules in user manual or the faultiest if it is repaired by another service which is not authorized.
- 12) The warnings are in this user manual regarding dangerous and harmful to human health and environment during the use of our products.
- 13) According to the Law on Costumer Protection No 4077 dated 23.02.1995 life time is 10 years.
- 14) Consumers can apply to Gümrük Ticaret Bakanlığı Tüketicinin Korunması ve Piyasa Gözetimi Genel Müdürlüğü for the problems about warrant certificate

ASSEMBLY



1- Pull the latch on the forearm that is mounted on the barrel.



2- Detach the forearm from the barrel.



3- Push the top lever fully to the right.



4- While keeping the top lever pushed to right install the barrel to the receiver with an approx 40 - degree angel as it is seen in the figure. Be sure the barrel is completely installed to the receiver otherwise shotgun will not close.



5- Be sure that ejectors properly installed in the receiver



6- By forcing the barrel upwards close the shotgun, be sure the barrel and receiver are properly aligned and top lever returns to slightly to the right of center. It is normal that the top lever does not return exactly to the center, this allows for wear.



7- Mount the forearm to the barrel as seen in the figure. Be sure the opening latch of forearm is completely closed.



8- Put the safety on by moving the safety switch to the rear position.

Note : Disassemble your shotgun by reversing the assembly instruction.

USAGE



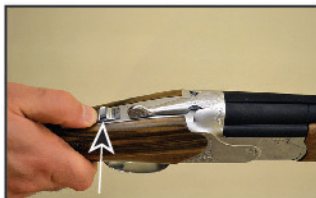
1- Opening your shotgun by pushing the top lever to the right while pushing the barrel downward.



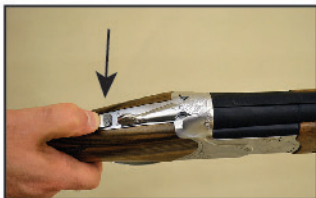
2- MAKE SURE THE SAFETY IS ON. (Moved to rear "S" exposed) Install the suitable cartridges according to your shotgun's gauge and chamber length.



3- Close your shotgun. **WARNING: YOUR SHOTGUN IS NOW LOADED.** Move the safety to the forward position and pull the trigger to fire.



4- Barrel Selection (Single trigger models only) With safety on, move the selector located inside the safety to the right to fire the bottom barrel first. After firing the bottom barrel the top barrel will fire with another pull of the trigger.



5- Barrel Selection (Single trigger models only) With safety on, move the selector located inside the safety to the left to fire the top barrel first. After firing the top barrel the bottom barrel will fire with another pull of the trigger.



6- After shooting open the shotgun by pushing the top lever fully to the right. Fired cartridges will be lifted for easy removal or ejected if your gun is fitted with automatic ejectors.

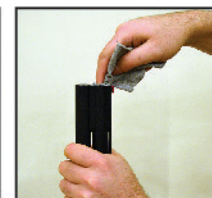
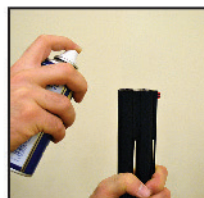
CHOKE TUBES



The choke constriction is designated by a series of notches at the muzzle end of the choke tube.
WARNING : Never check the choke designation, install choke tubes or remove choke tubes unless the gun is unloaded and the action is open.

CHOKE TUBES

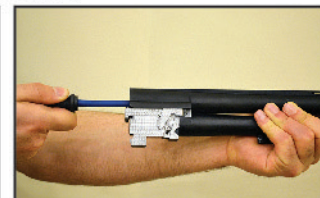
Choke Tubes : Best Usage	Full - Turkey
	Imp mod - Waterfowling
	Mod - Waterfowling, Upland Hunting
	Imp Cyl - Upland Hunting
	Cyl - Upland Hunting



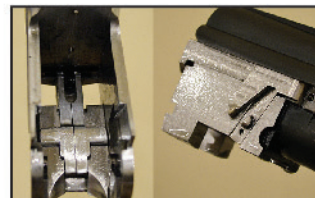
MAINTENANCE



1- Apply cleaning lubricant in to the barrel and connecting points and clean with a dry gland. After then apply a protective lubricant to the connecting points.



2- Repeat the same operation on the receiver and forend latch with cleaning and protective lubricant.



- Clean the barrel bore by passing a swab or cleaning patch through it to remove residue. If necessary, use a cleaning rod with a bore brush soaked in bore cleaning solvent.
- Run a clean dry cloth through the bore to remove excess residue
- Lightly oil the inside of the barrel with a clean patch coated with oil
- Apply a light coat of lubricant (preferably grease) to the connecting points of the receiver, barrels and forearm.
- Do not apply excess oil, grease or solvent. Excess cleaning fluids attract dirt, which can interfere with the function of the gun.
- Clean and lightly oil the external surface of the gun to remove any trace of dirt, moisture and fingerprints.

If you need further detailed maintenance contact a professional gunsmith.

SIDE BY SIDE SHOTGUNS

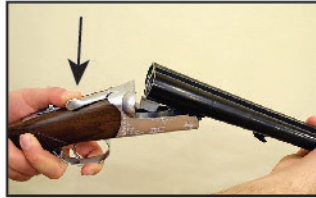
ASSEMBLY



1- Pull the latch on the forearm that is mounted on the barrel. 2- Detach the forearm from the barrel.



3- Push the top lever fully to the right.



4- While keeping the top lever pushed to right install the barrel to the receiver with an approx 40 - degree angel as it is seen in the figure. Be sure the barrel is completely installed to the receiver otherwise shotgun will not close.



5- Mouth the forearm to the barrel as seen in the figure. Make sure that the opening latch is completely closed.



6- Pur the safety on by moving the safety switch to the rear



Note : Disassemble by reversing the assembly instruction.

SIDE BY SIDE SHOTGUNS

USAGE



1- Opening your shotgun by pushing the top lever to the right while pushing the barrel downward.



2- MAKE SURE THE SAFETY IS ON. (Moved to rear "S" exposed) Install the suitable cartridges according to your shotgun's gauge and chamber length.



3- Barrel Selection (Single trigger models only) With safety on, move the selector located inside the safety to the left to fire to left barrel first. After firing the left barrel the right barrel will fire with another pull of the trigger.



4- Barrel Selection (Single trigger models only) With safety to the right to fire the right barrel first. After firing the right barrel the left barrel will fire with another pull of the trigger.




5- Barrel Selection (Single trigger models only) With safety on, move the selector located inside the safety to the right to fire

CHOKE TUBES

The choke constriction is designated by a series of notches at the muzzle end of the choke tube.
WARNING : Never check the choke designation, install choke tubes or remove choke tubes unless the gun is unloaded and the action is open.

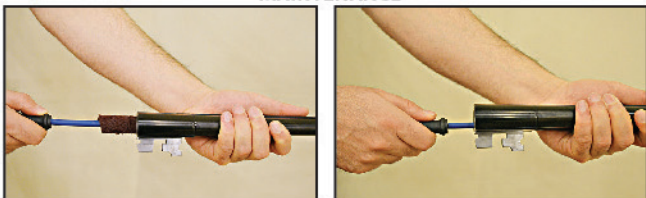


Chocke Tubes : Best Usage	Full - Turkey
	Imp mod - Waterfowling
	Mod - Waterfowling, Upland Hunting
	Imp Cyl - Upland Hunting
	Cyl - Upland Hunting

SIDE BY SIDE SHOTGUNS



MAINTENANCE



1- Apply cleaning lubricant in to the barrel and connecting points and clean with a dry gland. After then apply a protective lubricant to the connecting points.



2- Repeat the same operation on the receiver and forend latch with cleaning and protective lubricant.



Apply grease as shown

- Clean the barrel bore by passing a swab or cleaning patch through it to remove residue. If necessary, use a cleaning rod with a bore brush soaked in bore cleaning solvent.
- Run a clean dry cloth through the bore to remove excess residue
- Lightly oil the inside of the barrel with a clean patch coated with oil
- Apply a light coat of lubricant (preferably grease) to the connecting points of the receiver, barrels and forearm.
- Do not apply excess oil, grease or solvent. Excess cleaning fluids attract dirt, which can interfere with the function of the gun.
- Clean and lightly oil the external surface of the gun to remove any trace of dirt, moisture and fingerprints.

If you need further detailed maintenance contact a professional gunsmith.

SEMI - AUTOMATIC SHOTGUNS

ASSEMBLY



1- Remove the magazine cap in front of the forearm by turning it counter-clockwise.



2- Dismantle the forend by pulling forward to the barrel end.



3- (G125 Model Only) Unscrew the supporter nut off the front of the magazine tube



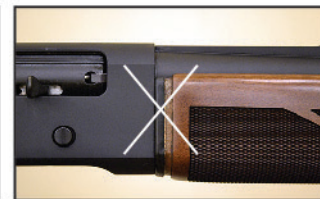
4- Side the barrel lug over the magazine tube



5- While assembling the barrel pull back the bolt handle approximately one inch to the rear allowing for easier alignment of the barrel. Make sure the barrel seats completely into the receiver.



6- (G125 Model Only) Tighten the supporter nut on the magazine tube.



7- Assemble the forearm over the magazine tube and barrel. Make sure that the forearm is seated completely into the flange at the front of the receiver. Tighten the screw by turning clockwise.

SEMI - AUTOMATIC SHOTGUNS

ASSEMBLY



8- Pull the cocking lever/bolt handle rearward until the action locks open.



9- Push the bolt release button on the right side of the receiver. Mechanism will slide strongly forward. **WARNING!** Be careful that your fingers are clear of the ejection port. Keep your hand below as seen in the figure.



10- Push the safety latch at the rear of the trigger guard fully to the right. Be sure that the RED color is not seen.

LOADING



1- With the metal part of the shell at the rear, insert shells into the magazine tube until they lock. Repeat the operation until you have loaded the desired amount of shells. Make sure to load only suitable cartridges according to your shotgun's caliber&chamber specifications.



2- After filling the magazine push the cartridge drop lever (small latch at the back of carrier) to allow the cartridge to drop onto the carrier. The bolt will slide forward and chamber a round.



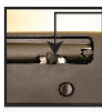
3- Pull the bolt handle back until the bolt locks in the rearward position. Push the bolt release button as seen in figure.



4- The bolt must be allowed to close forcefully to fully chamber the round. One cartridge from the magazine is now chambered. You can now place another cartridge into the magazine to replace the chambered round.

FIRING

- * Push the safety to the left when you are ready to fire.
- * You will see the RED color.
- * Make sure your finger is not in contact with the trigger as you are taking the safety off.
- * Now your shotgun is ready to fire.
- * When you fire, your shotgun will automatically eject the fired cartridge and replace it with one from the magazine, until the gun is empty of ammunition.
- * At this point, the bolt will remain locked open, indicating that all rounds have been fired.



Semi Auto Bolt Handle shown in proper alignment for removal. Note the spacing of the bolt handle in front of the curved handle slot.



Bolt handle the half way out position.

SEMI - AUTOMATIC SHOTGUNS

UNLOADING



1- Pull the bolt handle to the rear to eject the round from the chamber



2- The bolt will return to the closed position.



3- Hold the carrier down and depress the feed latch.



4- A cartridge will drop down to your finger on the carrier. Take out the cartridge. Repeat this operation until the magazine is empty. Depress the cartridge drop lever at the back of the carrier and pull the bolt handle rearward until the bolt locks open, demonstrating that the gun is completely unloaded.



CHOKE TUBES

The choke constriction is designated by a series of notches at the muzzle end of the choke tube.

WARNING: Never check the choke designation, install choke tubes or remove choke tubes unless the gun is unloaded and the action is open.

Choke Tubes : Best Usage

Full - Turkey

Imp mod - Waterfowling

Mod - Waterfowling, Upland Hunting

Imp Cyl - Upland Hunting

Cyl - Upland Hunting



REMOVING MAGAZINE PLUG

* The capacity of the shotgun is (4+1), but your shotgun is delivered to you as (2+1). You can change the capacity of the shotgun by removing the restrictor plug from the inside of the magazine tube.

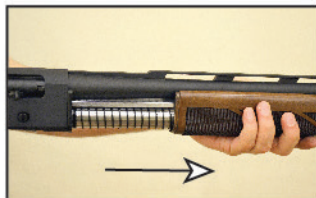
*(901 & 920 models) First remove the magazine cap. Gently pry the magazine cap upward and remove. Finish with re-install the magazine plug.



MAINTENANCE



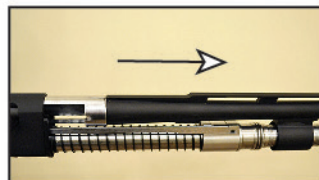
1- Unscrew the magazine cap.



2- Remove the forearm by pushing it forward.



3- (G125 Model Only) Unscrew the support nut off the front of the magazine tube.



4- Dismantle the barrel by pulling forward and off the magazine tube.



6- Slide the gas piston off the front of the magazine tube.



7- Push the latch under the trigger group (Loading figure 2/cartridge drop lever). Pull back the bolt handle. Clean the outer surface of magazine tube with a soft cloth.



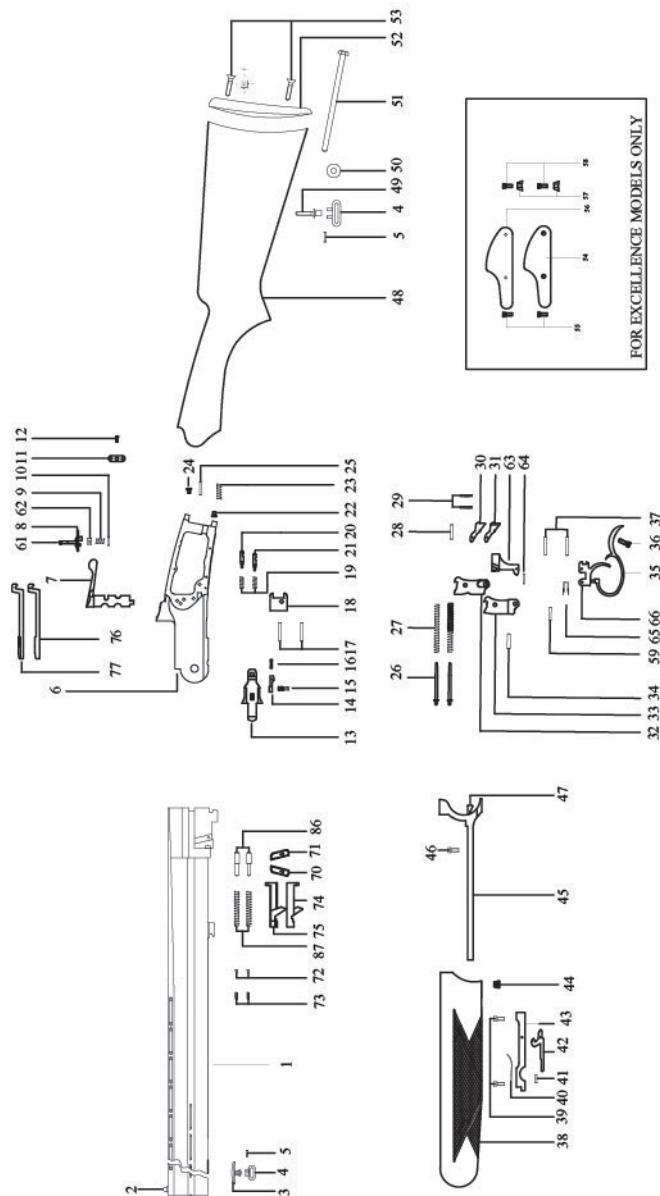
8- Clean the inside and the outside of the piston using the same method.



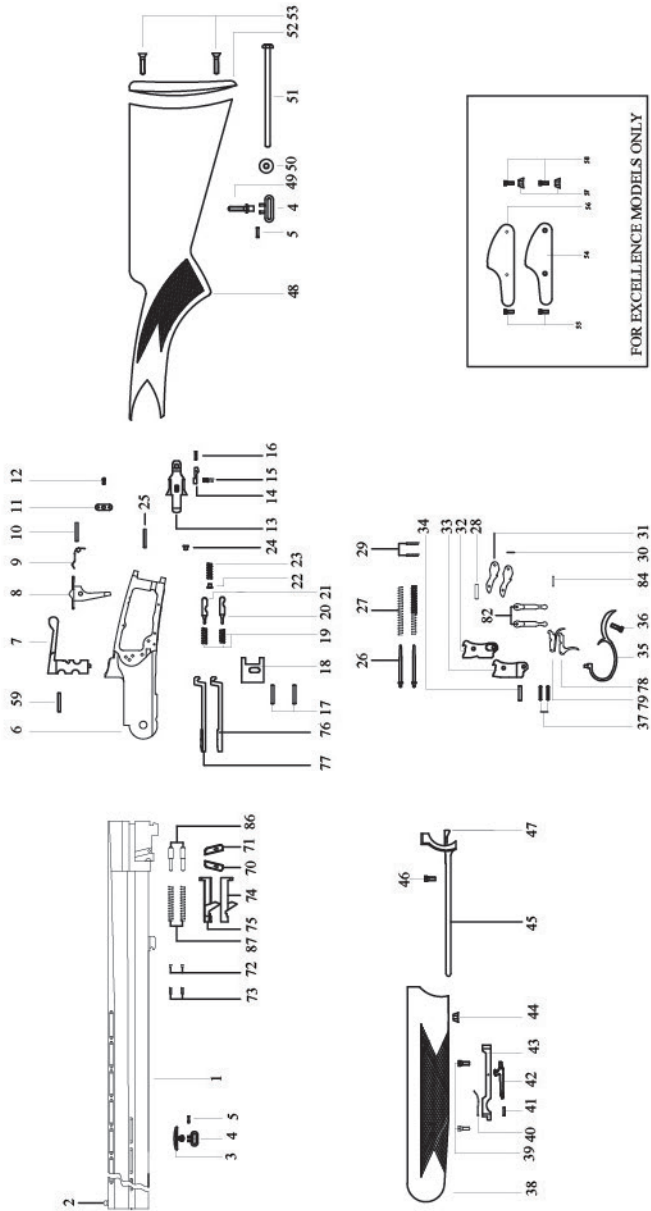
9- Clean the gas ports on the inside of the barrel lug. Clean inside of the barrel lug.

- Clean the barrel bore by passing a swab or cleaning patch through it to remove residue. If necessary, use a cleaning rod with a bore brush soaked in bore cleaning solvent.
 - Run a clean dry cloth through the bore to remove excess residue.
 - Lightly oil the inside of the barrel with a clean patch coated with oil.
 - Do not apply excess oil, grease or solvent. Excess cleaning fluids attract dirt, which can interfere with the function of the gun.
 - Clean and lightly oil the external surface of the gun to remove any trace of dirt, moisture and fingerprints.
 - Push the bolt release button while holding the bolt handle and allow the bolt to close slowly. Do not allow the bolt to close under force, since this may cause damage to the receiver.
- To assemble your shotgun reverse the disassembly instructions.

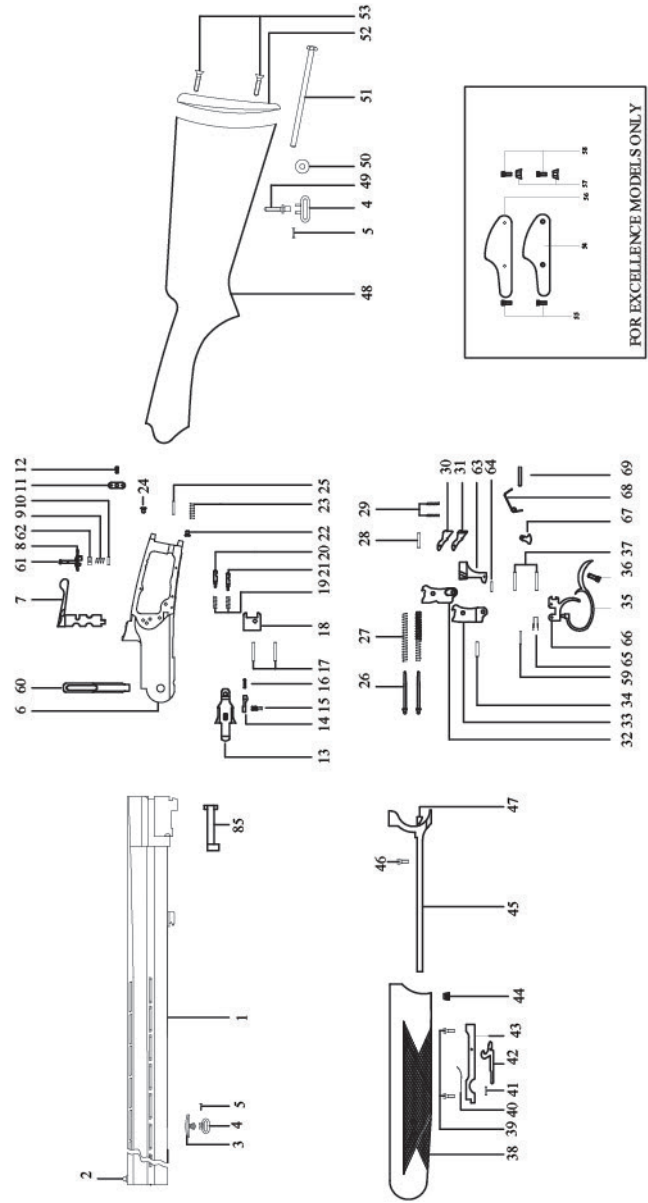
If you need further detailed maintenance contact a professional gunsmith.



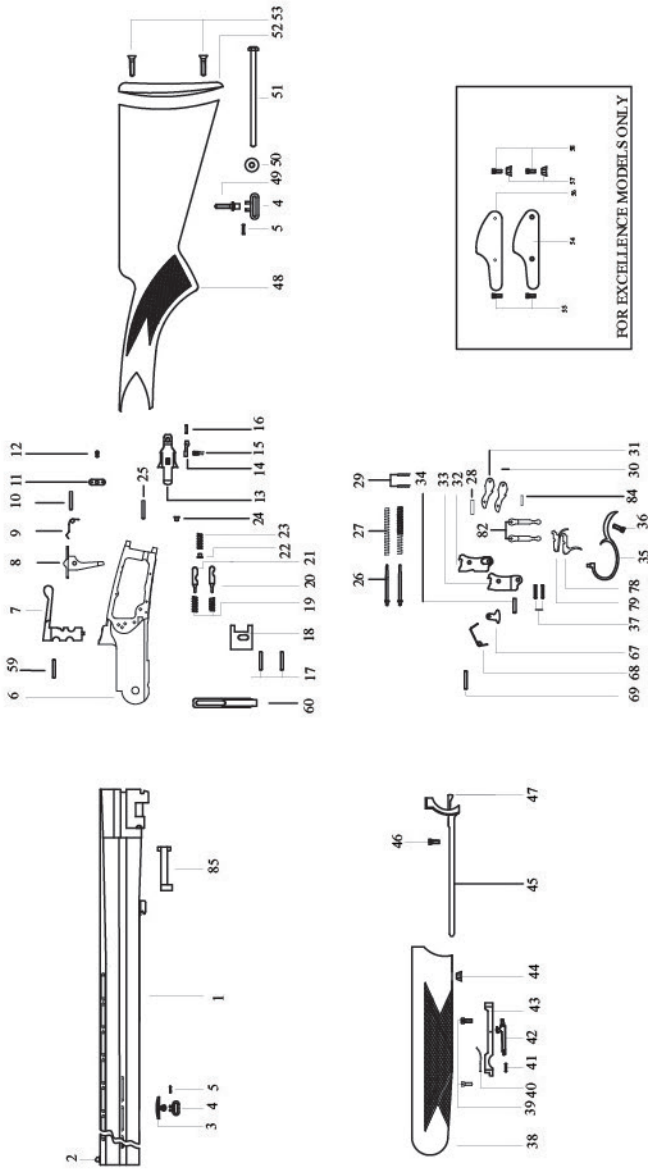
OVER & UNDER DIAGRAM - DOUBLE TRIGGER - AUTO EJECTOR MODELS



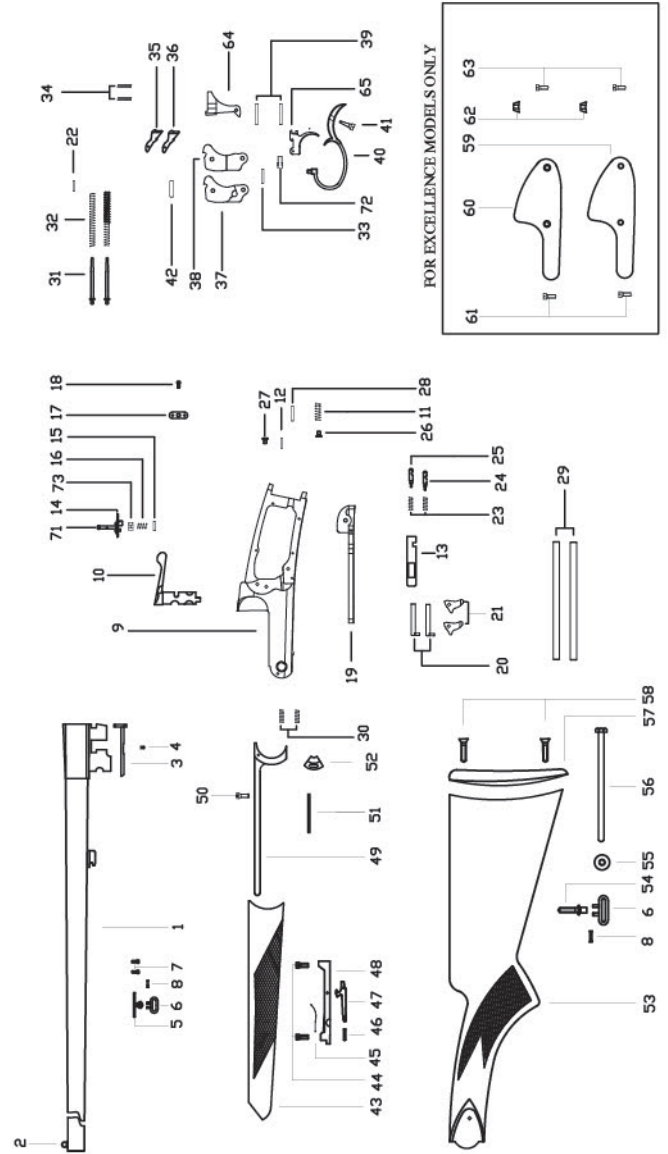
OVER & UNDER DIAGRAM - SINGLE TRIGGER



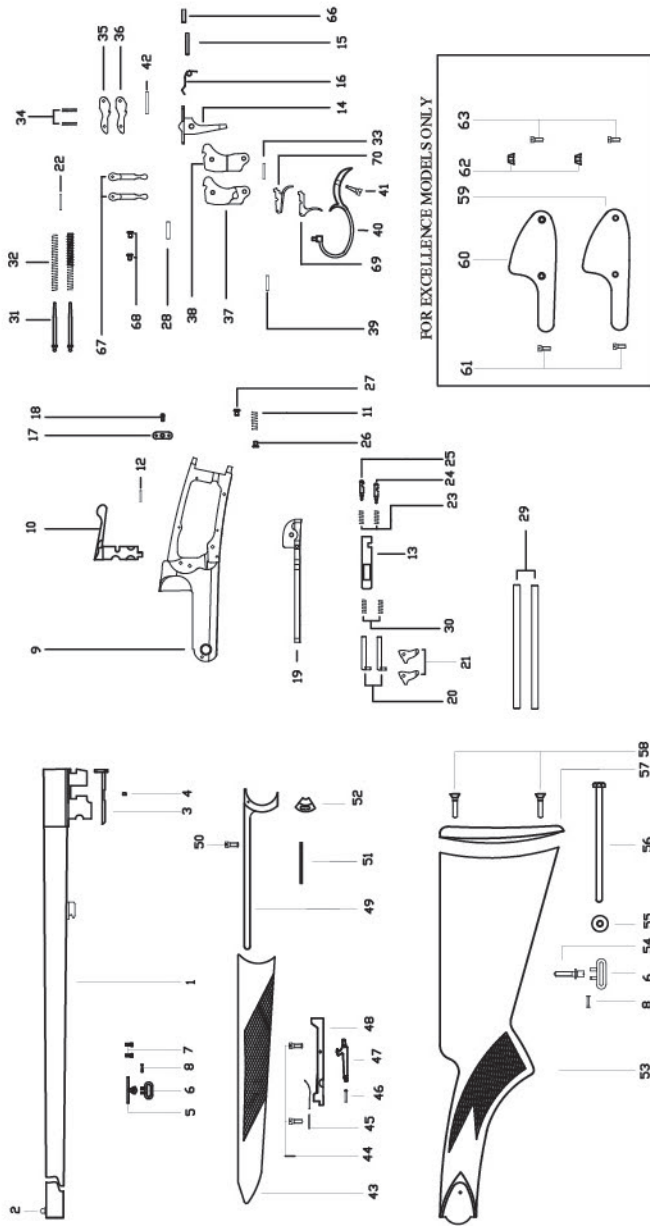
OVER & UNDER DIAGRAM - DOUBLE TRIGGER



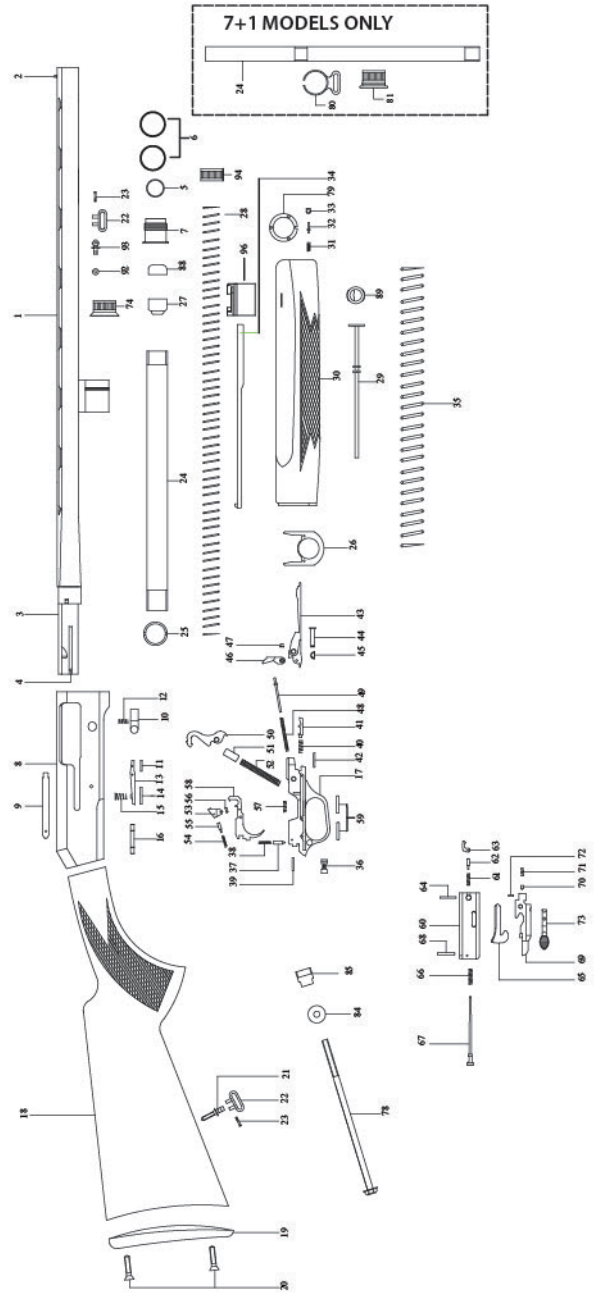
SIDE BY SIDE DIAGRAM - SINGLE TRIGGER

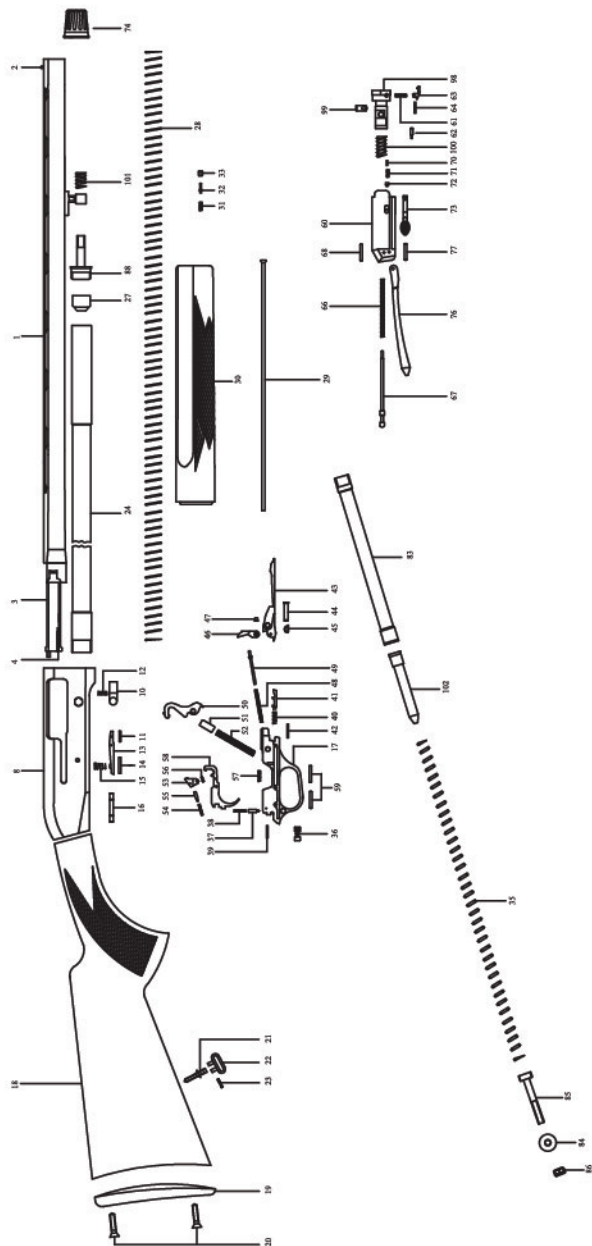


SIDE BY SIDE DIAGRAM - DOUBLE TRIGGER



SEMI AUTO DIAGRAM - G125 (GAS OPERATED)



SEMI AUTO DIAGRAM - K125 (INERTIA)

OVER & UNDER PART LIST

P.No.	PART NAME	P.No.	PART NAME
1	BARREL	45	FOREARM IRON
2	FRONT BEAD	46	ESCUTCHEON SCREW
3	BARREL SWIVEL STUD	47	FOREARM COCKING ARM
4	SWIVEL	48	STOCK
5	SWIVEL SCREW	49	STOCK SWIVELSTUD
6	RECEIVER	50	STOCK BOLT WASHER
7	TOP LEVER	51	STOCK BOLT
8	SAFETY	52	BUTT PLATE
9	SAFETY SPRING	53	BUTT PLATE SCREW
10	SAFETY SPRING PIN	54	SIDE PLATE (LEFT)
11	HAMMER SPRING PLATE	55	SIDE PLATE SCREW
12	HAMMER SPRING PLATE SCREW	56	SIDE PLATE (RIGHT)
13	LOWER RECEIVER	57	SIDE PLATE ESCUTCHEON COVER SCREW
14	LOCKING BLOCK HOLDER	58	SIDE PLATE COVER SCREW
15	LOCKING BLOCK HOLDER SPRING	59	TOP LEVER PIN
16	LOCKING BLOCK HOLDER PIN	60	COCKING ARM
17	FIRING PIN PINTLE	61	SAFETY LEVER
18	LOCKING BLOCK	62	SAFETY WASHER
19	FIRING PIN SPRING	63	SELECTOR
20	FIRING PIN (TOP)	64	SELECTOR PIN
21	FIRING PIN (BOTTOM)	65	TRIGGER SPRING
22	TOP LEVER SPRING PIN	66	TRIGGER
23	TOP LEVER SPRING	67	ROLLER
24	TOP LEVER SPRING RETAINER	68	ROLLER SPRING
25	TOP LEVER SPRING RETAINING PIN	69	ROLLER PIN
26	HAMMER SPRING PIN	70	WEDGE (RIGHT)
27	HOROZ YAYI / HAMMER SPRING	71	WEDGE (LEFT)
28	SEAR PIN	72	EJECTOR SEAR PIN
29	SEAR SPRING	73	EJECTOR SEAR SPRING
30	SEAR (RIGHT)	74	EJECTOR (RIGHT)
31	SEAR (LEFT)	75	EJECTOR (LEFT)
32	HAMMER (RIGHT)	76	COCKING ARM (RIGHT)
33	HAMMER (LEFT)	77	COCKING ARM (LEFT)
34	HAMMER PIN	78	TRIGGER (RIGHT)
35	TRIGGER GUARD	79	TRIGGER (LEFT)
36	TRIGGER GUARD SCREW	80	DAGGER
37	TRIGGER PIN	81	DAGGER SCREW
38	FOREARM	82	SEAR LEVER
39	TAKE DOWN LATCH SCREW	83	SAFETY PIN
40	TAKE DOWN LATCH SPRING	84	SEAR LEVER PIN
41	TAKE DOWN LATCH PIN	85	EXTRACTOR
42	TAKE DOWN LATCH	86	EJECTOR SPRING PIN
43	TAKE DOWN LATCH BRACKET	87	EJECTOR SPRING
44	ESCUTCHEON COVER SCREW		

SIDE BY SIDE PART LIST

P.No.	PART NAME	P.No.	PART NAME
1	BARREL	51	FOREARM COCKING ARM PIN
2	FRONT BEAD	52	FOREARM COCKING ARM
3	EXTRACTOR	53	STOCK
4	EXTRACTOR SCREW	54	STOCK SWIVEL STUD
5	BARREL SWIVEL STUD	55	STOCK BOLT WASHER
6	SWIVEL	56	STOCK BOLT
7	BARREL SWIVEL STUD SCREW	57	BUTT PLATE
8	SWIVEL SCREW	58	BUTT PLATE SCREW
9	RECEIVER	59	SIDE PLATE (LEFT)
10	TOP LEVER	60	SIDE PLATE (RIGHT)
11	TOP LEVER SPRING	61	SIDE PLATE SCREW
12	TOP LEVER SPRING RETAINING PIN	62	SIDE PLATE ESCUTCHEON COVER SCREW
13	LOCKING BLOCK	63	SIDE PLATE COVER SCREW
14	SAFETY	64	SELECTOR
15	SAFETY SPRING PIN	65	TRIGGER
16	SAFETY SPRING	66	SAFETY PIN
17	HAMMER SPRING PLATE	67	SEAR LEVER
18	HAMMER SPRING PLATE SCREW	68	SEAR LEVER PIN
19	LOWER RECEIVER	69	TRIGGER (RIGHT)
20	COCKING ARM CARRIERS	70	TRIGGER (LEFT)
21	COCKING ARM LEVER	71	SAFETY LEVER
22	FIRING PIN PINTLE	72	TRIGGER SPRING
23	FIRING PIN SPRING	73	SAFETY WASHER
24	FIRING PIN (LEFT)	74	LOWER RECEIVER PIN
25	FIRING PIN (RIGHT)	75	SAFETY SPRING PIN
26	TOP LEVER SPRING PLUNGER	76	CROWN
27	TOP LEVER SPRING RETAINER	77	TANG SCREW
28	TOP LEVER LOCKING PIN	78	LOWER RECEIVER REAR SCREW
29	COCKING ARM	79	SAFETY INTERIOR PIN
30	COCKING ARM SPRING	80	SAFETY INTERIOR
31	HAMMER SPRING PIN	81	HAMMER (LEFT)
32	HAMMER SPRING	82	HAMMER (RIGHT)
33	HAMMER PIN	83	HAMMER SCREW
34	SEAR-SELECTOR SPRING	84	HAMMER SPRING (LEFT)
35	SEAR (RIGHT)	85	HAMMER SPRING (RIGHT)
36	SEAR (LEFT)	86	HOLDER (LEFT)
37	HAMMER (LEFT)	87	HOLDER (RIGHT)
38	HAMMER (RIGHT)	88	PLATE IMMOBILIZATION SCREW
39	TRIGGER PIN	89	PUMP (LEFT)
40	TRIGGER GUARD	90	PUMP (RIGHT)
41	TRIGGER GUARD SCREW	91	HAMMER SPRING CONTRA SCREW
42	SEAR PIN	92	SIDE LOCK (LEFT)
43	FOREARM	93	SIDE LOCK (RIGHT)
44	TAKE DOWN LATCH SCREW	94	RESTRAINT SEAR SCREW
45	TAKE DOWN LATCH SPRING	95	RESTRAINT (LEFT)
46	TAKE DOWN LATCH PIN	96	RESTRAINT (RIGHT)
47	TAKE DOWN LATCH	97	SEAR (LEFT)
48	TAKE DOWN LATCH BRACKET	98	SEAR (RIGHT)
49	FOREARM IRON	99	SEAR-SELECTOR SPRING (LEFT)
50	ESCUTCHEON SCREW	100	SEAR-SELECTOR SPRING (RIGHT)

SEMI AUTO PART LIST

P.No.	PART NAME	P.No.	PART NAME
1	BARREL	52	HAMMER SPRING
2	FRONT BEAD	53	SEAR
3	BEARING BOLT	54	SEAR SPRING
4	EJECTOR	55	SEAR PLUNGER
5	RUBBER GAS RING	56	SEAR PIN
6	GAS PISTON WASHER	57	TRIGGER SPRING
7	GAS PISTON	58	TRIGGER
8	RECEIVER	59	TRIGGER PIN
9	TRACER WEDGE	60	BRECH BOLT
10	BOLT RELEASE	61	EXTRACTOR SPRING
11	BOLT RELEASE PIN	62	EXTRACTOR SPRING PIN
12	BOLT RELEASE SPRING	63	EXTRACTOR
13	BOLT RELEASE LATCH	64	EXTRACTOR RETAINING PIN
14	BOLT RELEASE LATCH PIN	65	LOCKING BLOCK
15	BOLT RELEASE LATCH SPRING	66	FIRING PIN SPRING
16	TRIGGER GUARD PIN	67	FIRING PIN
17	TRIGGER GUARD	68	FIRING PIN RETAINER
18	STOCK	69	BOLT BLOCK
19	BUTT PLATE	70	BOLT LEVER BLOCK PIN
20	BUTT PLATE SCREW	71	BOLT LEVER BLOCK SPRING
21	STOCK SWIVEL STUD	72	BOLT LEVER BLOCK SPRING PIN
22	SWIVEL	73	OPERATING HANDLE
23	SABITLEME VIDASI / SWIVEL SCREW	74	MAGAZINE CAP
24	MAGAZINE TUBE	75	ACTION PIPE
25	FOREARM SUPPORT RING	76	ACTION SUPPORTER
26	FOREARM PLATE RING	77	ACTION SUPPORTER PIN
27	MAGAZINE FOLLOWER	78	STOCK BOLT
28	MAGAZINE SPRING	79	MAGAZINE CAP SUPPORT
29	MAGAZINE PLUG	80	7+1 SWIVEL
30	FOREARM	81	7+1 MAGAZINE CAP
31	MAGAZINE CAP SPRING	82	SWIVEL HOLDER
32	MAGAZINE CAP PIN	83	ACTION TUBE
33	MAGAZINE CAP SCREW	84	STOCK BOLT WASHER
34	ACTION BAR	85	STOCK BOLT RECEIVER
35	ACTION SPRING	86	STOCK BOLT RING
36	SAFETY	87	STOCK BOLT SCREW
37	SAFETY PLUNGER	88	MAGAZINE SPRING RETAINER
38	SAFETY SPRING	89	MAGAZINE PLUG RETAINER
39	SAFETY SPRING PLUNGER	90	PLUG PLATE
40	CARRIER SPRING	91	MAGAZINE CAP INTERIOR
41	CARRIER PLUNGER	92	SWIVEL STUD RETAINER
42	CARRIER RETAINING PIN	93	SWIVEL STUD
43	CARRIER	94	SUPPORTER NUT
44	TRIGGER ASSEMBLY PIN SLEEVE	95	BARREL MOVEMENT SPRING
45	TRIGGER ASSEMBLY PIN RETAINER	96	ACTION BAR SLEEVE
46	CARRIER DOG	97	BARREL SPRING RETAINING NUT
47	CARRIER DOG PIN	98	LOCKING HEAD
48	CARRIER DOG SPRING	99	LOCKING HEAD PIN
49	CARRIER DOG PLUNGER	100	LOCKING HEAD SPRING
50	HAMMER	101	MAGAZINE CAP SPRING
51	HAMMER PLUNGER	102	RECOIL SPRING WEIGHT

TEDNA

TEDNA AV TÜFEĐİ SATIŞ PAZARLAMA A.Ş.
Göztepe Mah. Palmiye Cad. No: 36/A Beykoz / İSTANBUL
Tel: +90 216 465 0075
www.tedna.com.tr • info@tedna.com.tr